



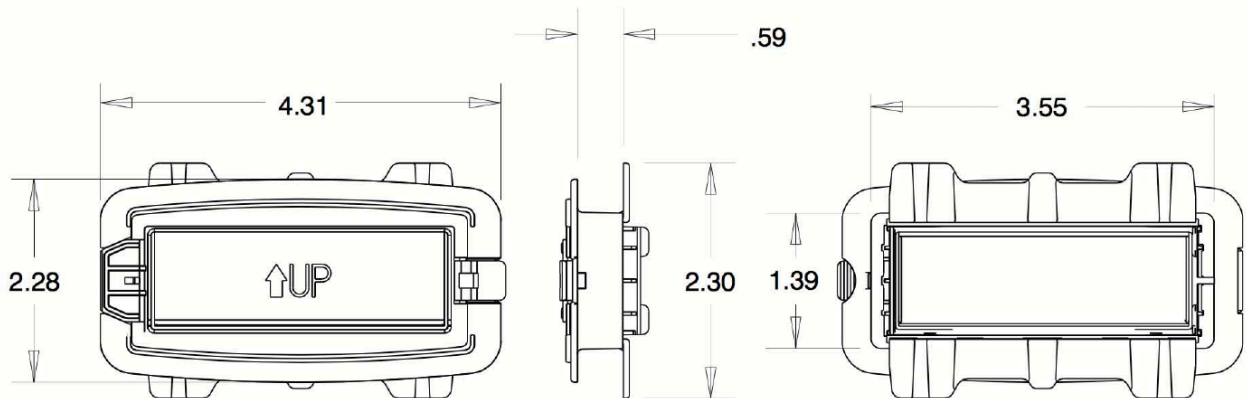
Product Description

BCLIP-PP900WP

Size: 4 5/16 inches x 2 1/4 inches
Material: Polypropylene

Em: Support@BigValleyPackaging.com
www.PackingShippingSupplies.com

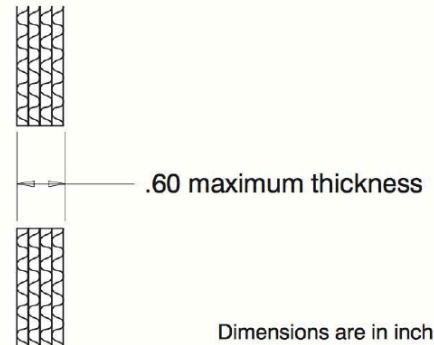
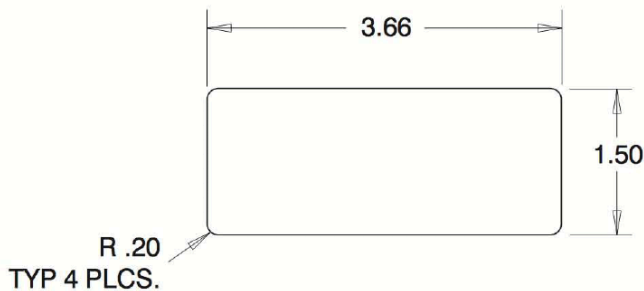
Product Dimensions



Product image is for reference only.
Part Tolerance = +/- .03 inches (.75 mm)

Dimensions are in inches

Die-cut Dimensions



Dimensions are in inches

Packaging Information

Carton Pack: 250
Carton Weight: 15 lbs