

Specifications Sheet

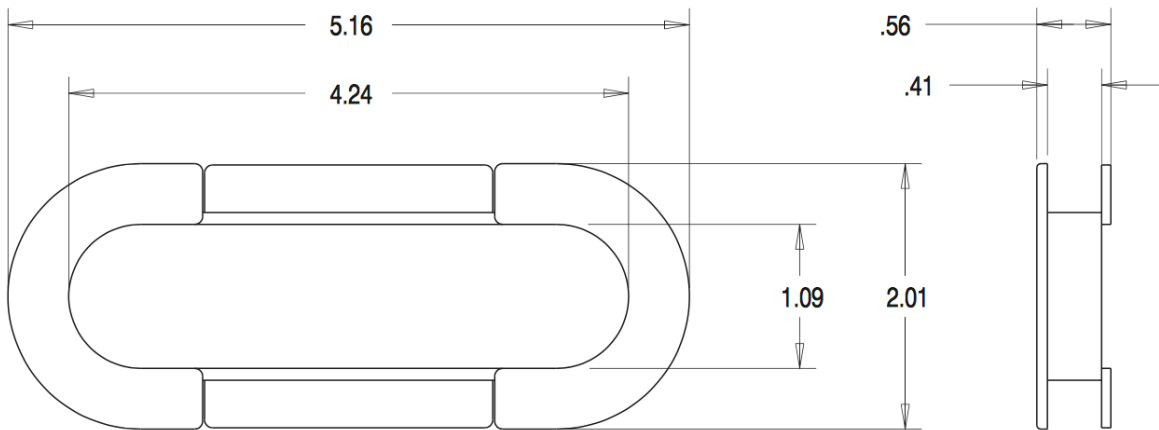
Product Description

Item Name: Hand Hole Support
Item Number: **BCLIP-PP907**
Size: 5.16" x 2.0"
Material: Low Density Polyethylene

Ordering Information

PP907-10	White
PP907-80	Black
PP907-05	Translucent

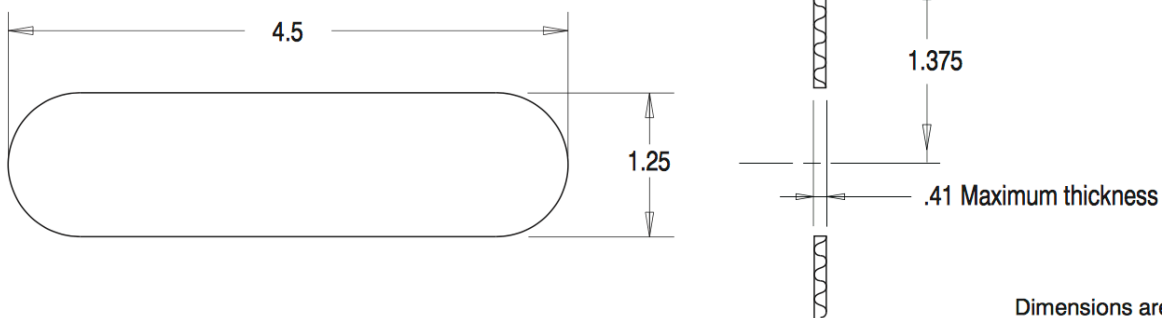
Product Dimensions



Part Tolerance = +/- .03 inches (.75 mm)

Dimensions are in inches

Die-cut Dimensions



Dimensions are in inches

Packaging Information

Carton Pack:	1,000
Carton Weight:	27.5 lbs. (12.5 Kg)

520-988-3002

BV **BIG**
Valley
Packaging

www.BigValleyPackaging.com
www.PackingShippingSupplies.com